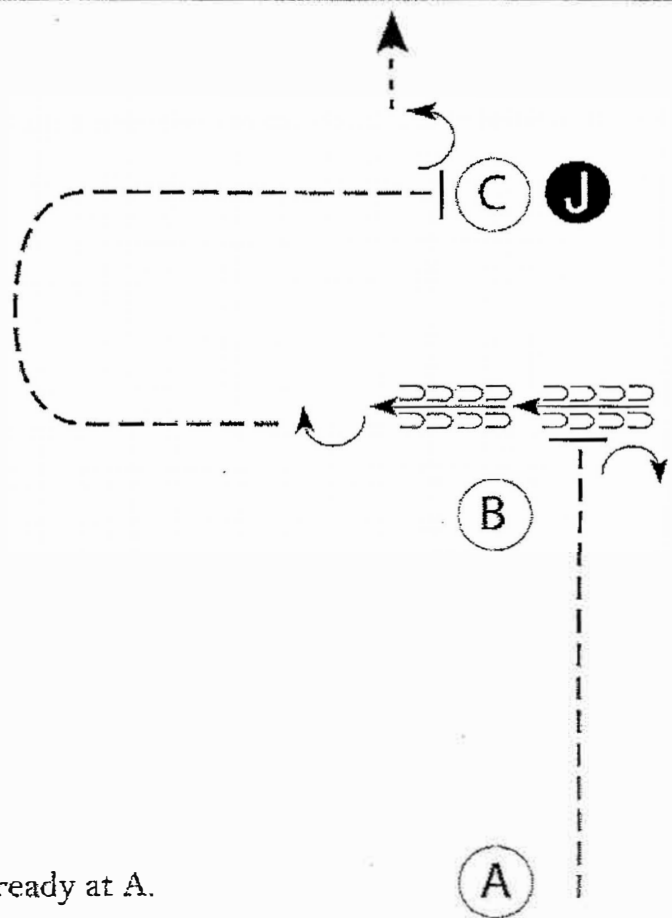


1. WALK TO JUDGE (2nd MARKER)
2. STOP + set up for inspection
3. WALK TO THIRD MARKER STOP
4. WALK AWAY to Line up.

Classes 40, 41, 42, 43



Be ready at A.

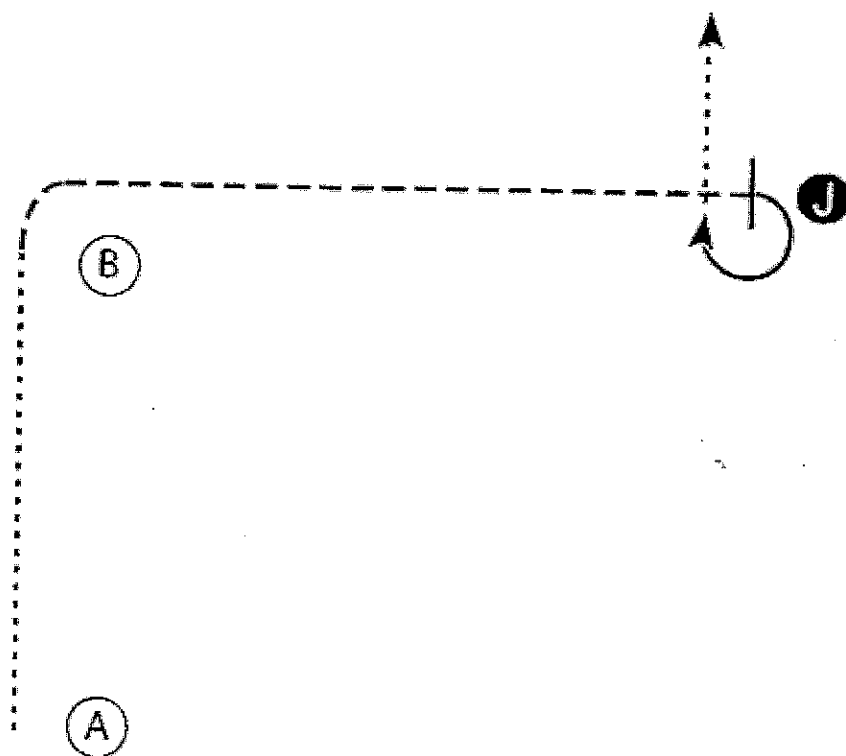
1. Trot from A past B and stop.
2. Perform a 90 degree turn.
3. Back past B.
3. Perform a 180 degree turn.
4. Trot with speed to C.
5. Stop and set up for inspection.
6. When dismissed, perform a 270 degree turn and walk straight away.

Walk	-----
Trot	-----
Back	←
Marker	⊙ B
Judge	● J

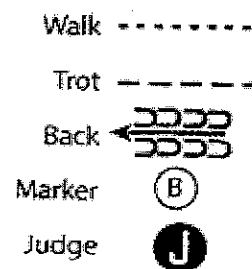
Follow the instructions of your ring steward.

## Showmanship

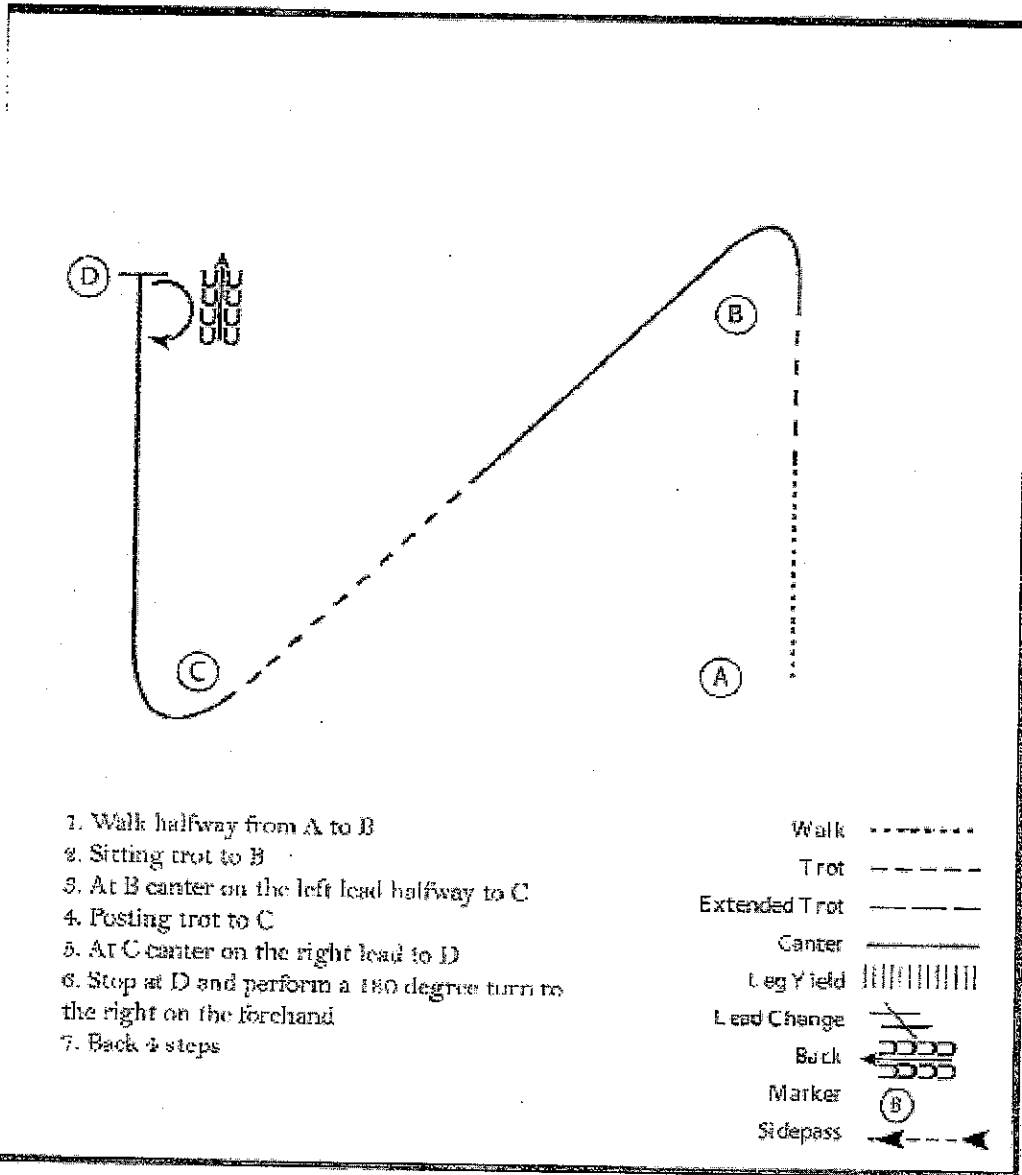
Classes 45, 46, 47



1. Walk from A to B.
2. Trot from B to the Judge.
3. Stop and set up for inspection.
4. When dismissed perform a 270 degree turn and walk straight away from the Judge.

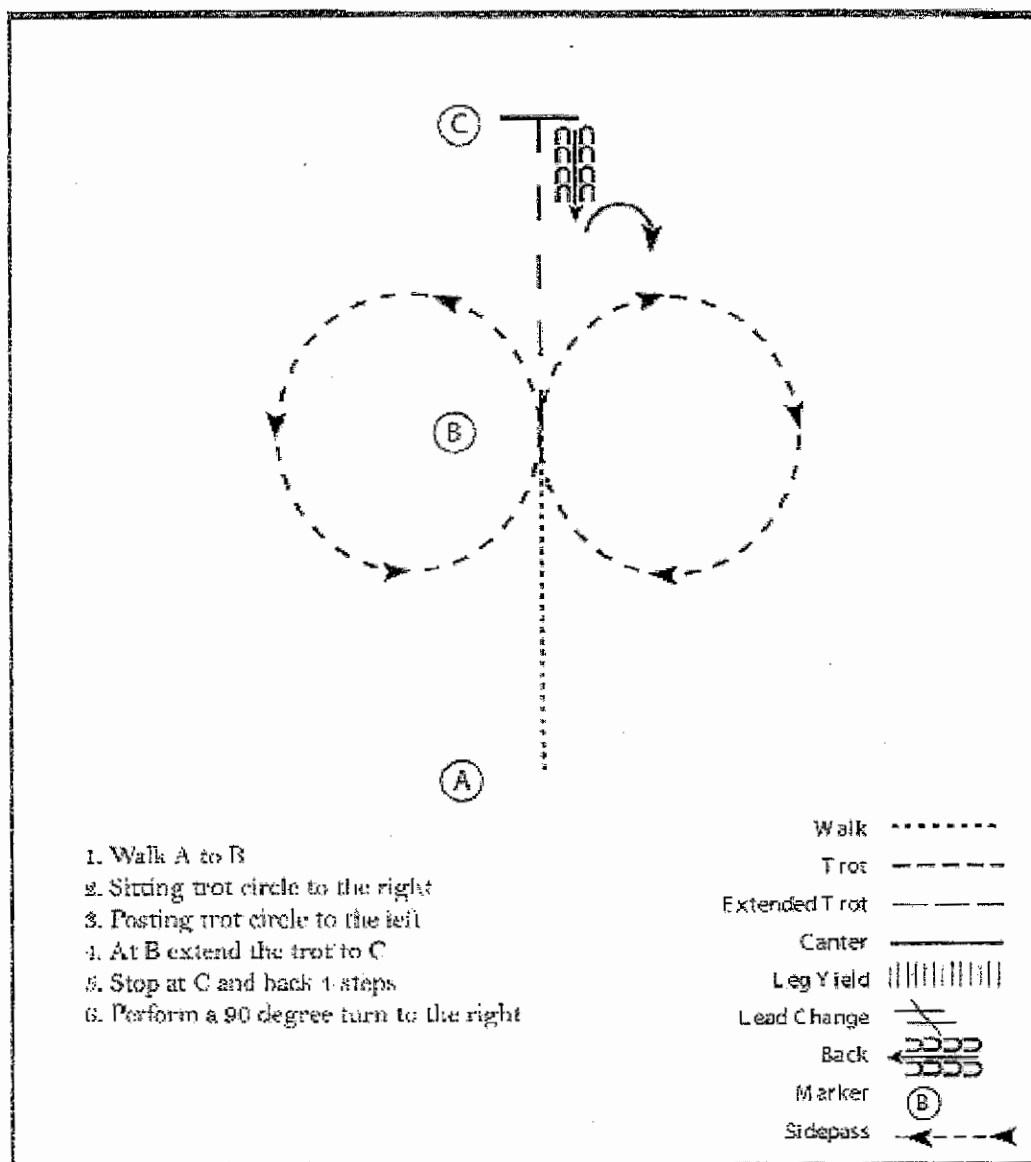


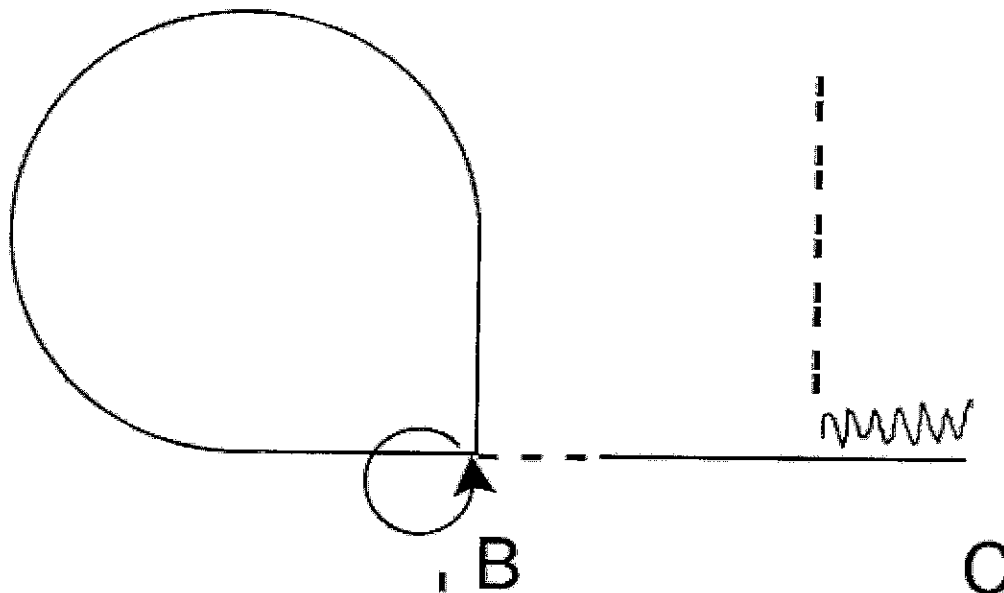
Hunt Seat Equitation (H) Classes 15, 16, 17, 18



1. Walk halfway from A to B
2. Sitting trot to B
3. At B canter on the left lead halfway to C
4. Posting trot to C
5. At C canter on the right lead to D
6. Stop at D and perform a 180 degree turn to the right on the forchand
7. Back 2 steps

### Hunt Seat Equitation (Walk Trot) Classes 19, 20, 21





walk to A  
 jog to B  
 360 to left  
 lope left lead back to B  
 simple lead change  
 lope right lead to C  
 back 9 steps  
 extended jog to rail

Western Horsemanship (Walk Trot) Classes 66, 67, 68

